

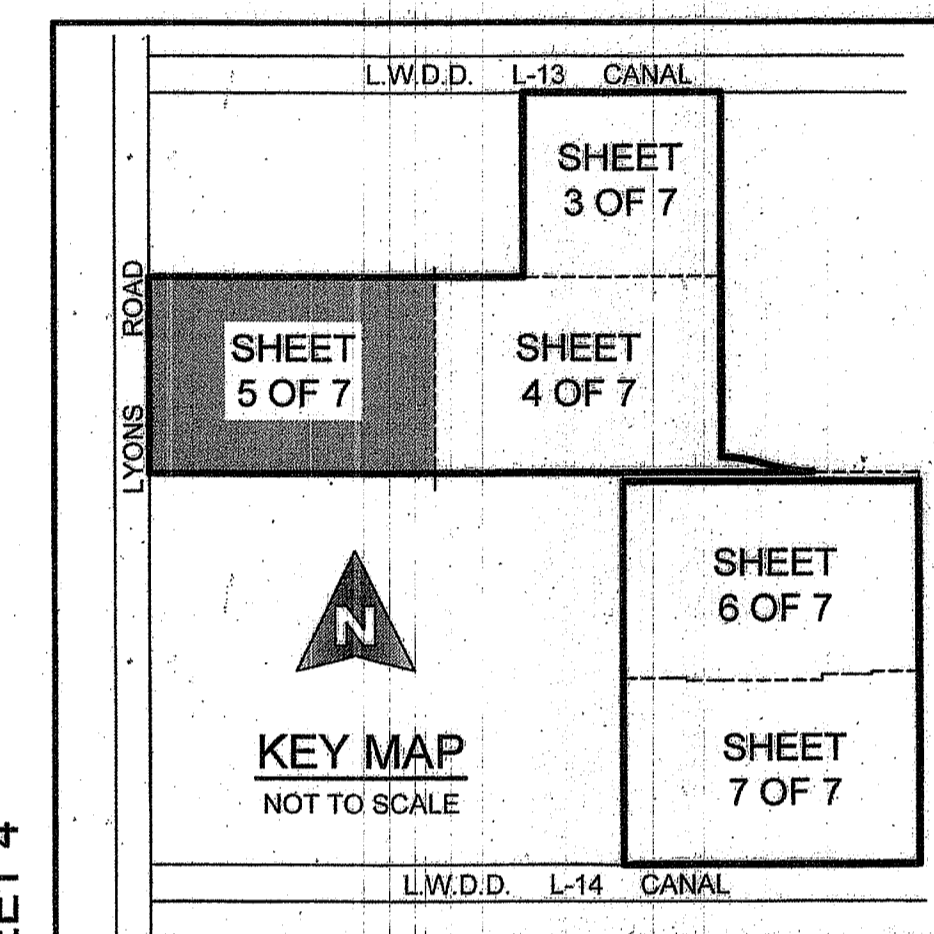
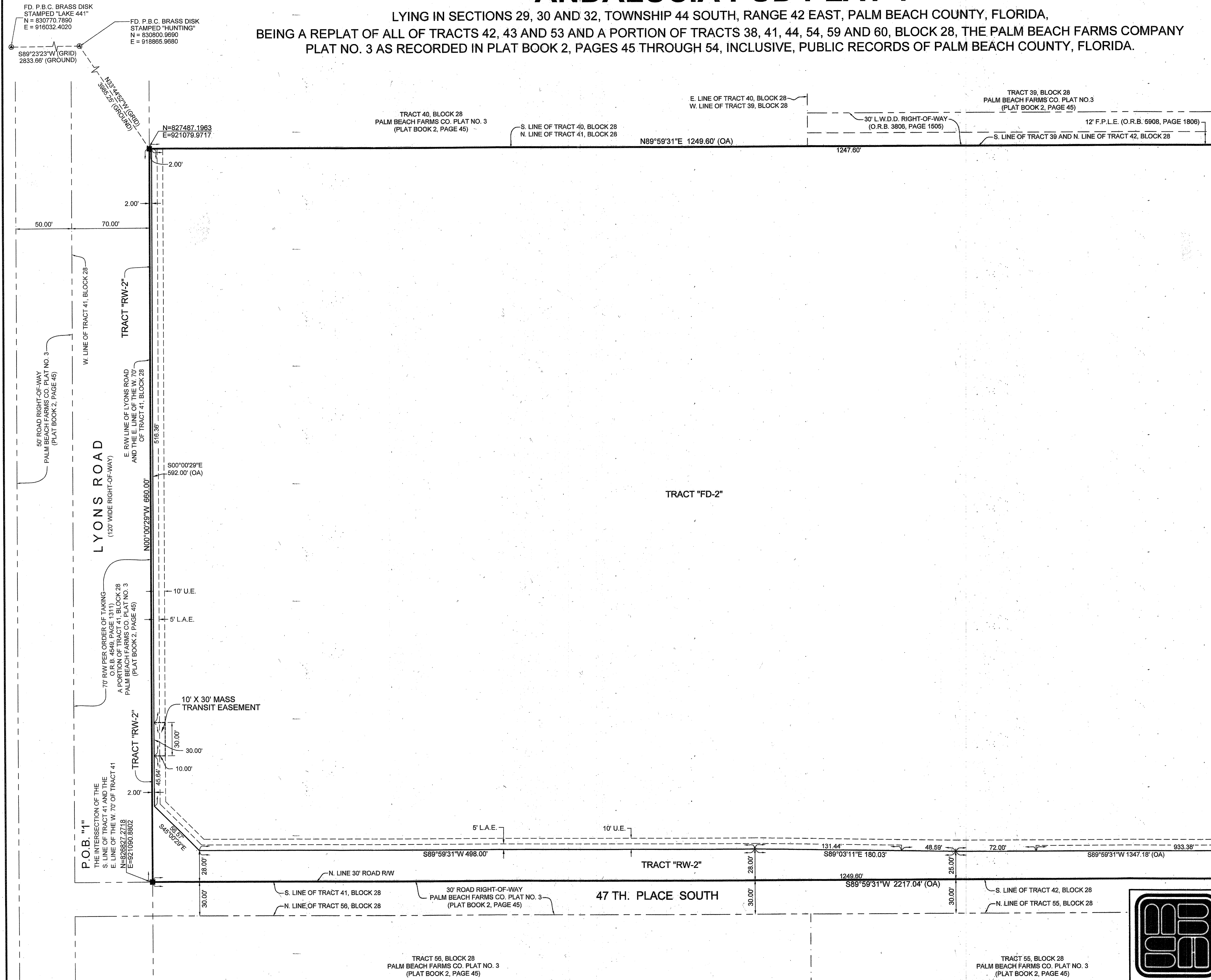
0980-001

ANDALUCIA PUD PLAT 1

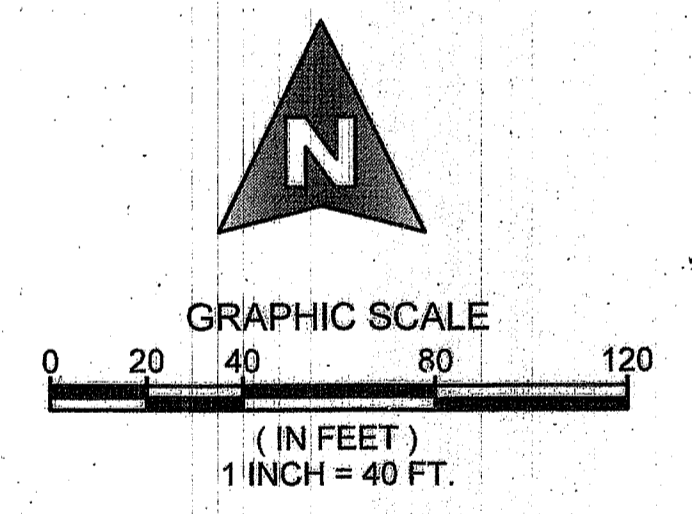
LYING IN SECTIONS 29, 30 AND 32, TOWNSHIP 44 SOUTH, RANGE 42 EAST, PALM BEACH COUNTY, FLORIDA,
BEING A REPLAT OF ALL OF TRACTS 42, 43 AND 53 AND A PORTION OF TRACTS 38, 41, 44, 54, 59 AND 60, BLOCK 28, THE PALM BEACH FARMS COMPANY
PLAT NO. 3 AS RECORDED IN PLAT BOOK 2, PAGES 45 THROUGH 54, INCLUSIVE, PUBLIC RECORDS OF PALM BEACH COUNTY, FLORIDA.

197

COUNTY OF PALM BEACH)
STATE OF FLORIDA) SS
THIS PLAT WAS FILED FOR RECORD AT)
M. THIS) DAY OF)
2017, AND DULY)
RECORDED IN PLAT BOOK NO.)
ON PAGE) THRU)
SHARON R. BOCK,
CLERK AND COMPTROLLER
BY:) D.C.



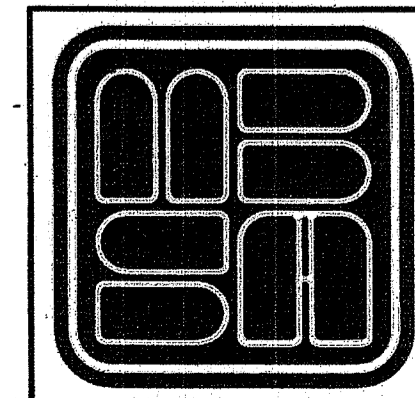
MATCH TO SHEET 4



COORDINATE NOTE:
STATE PLANE COORDINATES SHOWN ARE GRID DATUM,
NAD 83 1990 ADJUSTMENT, FLORIDA EAST ZONE,
COORDINATE SYSTEM 1983 STATE PLANE, TRANSVERSE
MERCATOR PROJECTION
LINEAR UNIT = US SURVEY FEET
ALL DISTANCES ARE GROUND
SCALE FACTOR = 1.000022328
GROUND DISTANCE X SCALE FACTOR = GRID DISTANCE
S 00°00'29"E (PLAT BEARING) 100°56'20" COUNTER-CLOCKWISE ROTATION
PLAT TO GRID
S 00°56'49"E (GRID BEARING)

THE EAST LINE OF TRACTS 38 AND 43, BLOCK 28, PALM BEACH FARMS COMPANY PLAT NO. 3 (PLAT BOOK 2, PAGES 45-54)

SHEET 5 OF 7



MICHAEL B. SCHORAH & ASSOCIATES, INC.
1850 FOREST HILL BLVD., SUITE 208
WEST PALM BEACH, FLORIDA 33408
EB# 2438 TEL. (561) 968-0080 FAX. (561) 642-9728 LB# 2438

ANDALUCIA PUD PLAT 1